

# PORTABLE AUTOMATIC PLASMA PIPE CUTTING MACHINE



# AUTO PICKLE-P

*This Auto Pickle Model P is an automatic pipe cutting machine that has been developed for the purpose of equipping it with a plasma-cutting torch. Its high stability in high speed travelling provides production cut Surface of high quality. The*

*machine body, light in weight and driven by a unique chain-drive system, can be easily set and secured on a pipe in a wide variety of sizes.*

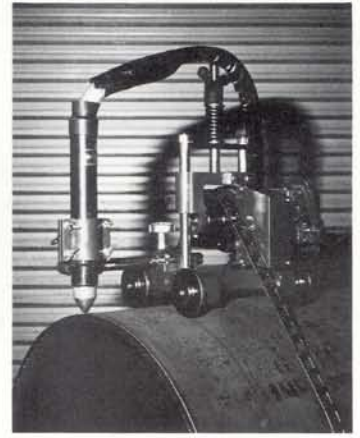


**KOIKE SANSO KOGYO CO., LTD.**



# PORTABLE AUTOMATIC PLASMA PIPE CUTTING MACHINE

# AUTO PICLE-P

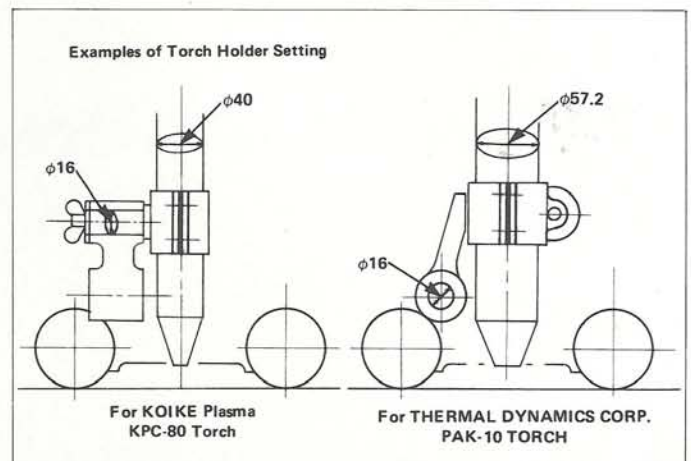
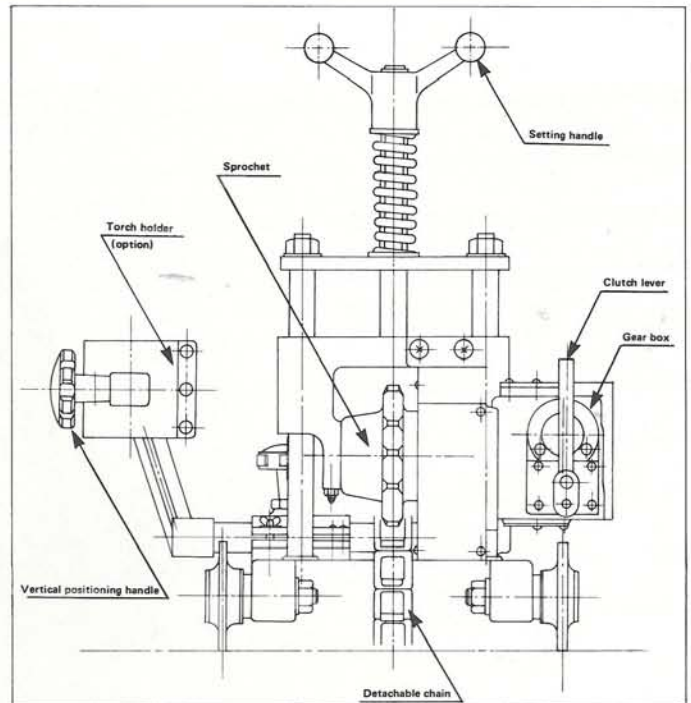


## Features

- Light in weight for easy transfer.
- Different pipe diameters can be readily accommodated by adjusting the number of chain links.
- A clutch mechanism is provided to ensure quick transfer to any position desired.
- A remote control box is provided to conveniently select the travel direction of the machine and control its speed away from the cutting area.

## Specifications

Overall weight:	Approx. 15 kg (33 lb)
Dimensions of machine:	Overall length : 270 mm (10 <sup>5</sup> / <sub>8</sub> "") Track width : 230 mm (9 <sup>1</sup> / <sub>16</sub> "") Overall height : 400 mm (15 <sup>3</sup> / <sub>4</sub> "")
Power source:	AC 120 V
Speed control system:	S.C.R. control system
Speed adjustment:	Dial type
Machine travel speed:	500 ~ 3,000 mm/min. (20 ~ 120 i.p.m.)
Applicable pipe size:	150 ~ 600 mφ (6" ~ 24" dia.) (Applicable to those above 600 mm diameter (24") by increasing the number of chain links.)
Motor:	40W, 6,000 r.p.m
Accessories:	Remove control box Chain (2.35 m) (94") 2 fuses (2 Amp)



**KOIKE SAN SO KOGYO CO., LTD.**

3-1, Shinden 2-chome, Ichikawa, Chiba 272 Japan  
Telex: 2993-105 KSKSEI J  
Facsimile: 0473-78-8393  
Telephone: 0473-76-3211

Sold by: